

A COCATEGORICAL OBSTRUCTION TO TENSOR PRODUCTS OF GRAY-CATEGORIES

JOHN BOURKE AND NICK GURSKI

ABSTRACT. It was argued by Crans that it is too much to ask that the category of Gray-categories admit a well behaved monoidal biclosed structure. We make this precise by establishing undesirable properties that any such monoidal biclosed structure must have. In particular we show that there does not exist any tensor product making the model category of Gray-categories into a monoidal model category.

1. Introduction

The category 2-Cat of small 2-categories admits several monoidal biclosed structures. One of these, usually called the Gray-tensor product \otimes_p , has a number of appealing features.

- (1) Given 2-categories A and B the morphisms of the corresponding 2-category $[A, B]$ are *pseudonatural transformations*: the most important transformations in 2-category theory.
- (2) Each tricategory is equivalent to a *Gray-category* [11]: a category enriched in $(2\text{-Cat}, \otimes_p)$.
- (3) The Gray tensor product equips the model category 2-Cat with the structure of a *monoidal model category* [15]; in particular, it equips the homotopy category of 2-Cat with the structure of a monoidal closed category.

Gray-categories obtain importance by virtue of (2). Instead of working in a general tricategory it suffices to work in a Gray-category – for an example of this see [7]. They are more manageable than general tricategories, and differ primarily from strict 3-categories only in that the *middle four interchange* does not hold on the nose, but rather up to coherent isomorphism.

Bearing the above in mind, it is natural to ask whether there exists a tensor product of Gray-categories satisfying some good properties analogous to the above ones. This topic was investigated by Crans, who in the introduction to [4] claimed that it is too much to ask for a *monoidal biclosed structure* on Gray-Cat that captures weak transformations,

The first author acknowledges the support of the Grant agency of the Czech Republic, grant number P201/12/G028. The second author acknowledges the support of the EPSRC in the form of an Early Career Fellowship. Both authors thank the University of Sheffield for support via the Mathematical Sciences Research Centre.

Received by the editors 2014-12-04 and, in revised form, 2015-03-28.

Transmitted by Ross Street. Published on 2015-04-03.

2010 Mathematics Subject Classification: 18D05, 18D15, 18D35.

Key words and phrases: Gray-category, monoidal biclosed category, cocategory.

© John Bourke and Nick Gurski, 2015. Permission to copy for private use granted.

and asserts that this is due to the failure of the middle four interchange.

The folklore argument against the existence of such a monoidal biclosed structure – discussed in [23] and likely originating with James Dolan – is fairly compelling and goes as follows. (For simplicity we here confine ourselves to the symmetric monoidal case.) Given Gray-categories A and B such a structure would involve a Gray-category $[A, B]$ whose objects should be *strict* Gray-functors¹ and whose 1-cells $\eta : F \rightarrow G$ should be *weak transformations*. Such a transformation should involve at least 1-cell components $\eta_a : Fa \rightarrow Ga$ and 2-cells

$$\begin{array}{ccc} Fa & \xrightarrow{F\alpha} & Fb \\ \eta_a \downarrow & \searrow \eta_\alpha & \downarrow \eta_b \\ Ga & \xrightarrow{G\alpha} & Gb \end{array}$$

satisfying coherence equations likely involving 3-cells. Which equations should be imposed?

If we view $\eta : F \rightarrow G \in [A, B]$ as a Gray-functor $\mathbf{2} \rightarrow [A, B]$ it should correspond, by closedness, to a Gray-functor $\bar{\eta} : A \rightarrow [\mathbf{2}, B]$ where $\bar{\eta}(a) = \eta_a : Fa \rightarrow Ga$ whilst $\bar{\eta}(\alpha)$ should encode the above 2-cell η_α ; the requirement that the Gray-functor $\bar{\eta} : A \rightarrow [\mathbf{2}, B]$ preserve composition should then correspond to asking that the condition

$$\begin{array}{ccc} Fa & \xrightarrow{F\alpha} & Fb & \xrightarrow{F\beta} & Fc \\ \eta_a \downarrow & \searrow \eta_\alpha & \downarrow \eta_b & \searrow \eta_\beta & \downarrow \eta_c \\ Ga & \xrightarrow{G\alpha} & Gb & \xrightarrow{G\beta} & Gc \end{array} = \begin{array}{ccc} Fa & \xrightarrow{F(\beta\alpha)} & Fc \\ \eta_a \downarrow & \searrow \eta_{\beta\alpha} & \downarrow \eta_c \\ Ga & \xrightarrow{G(\beta\alpha)} & Gc \end{array} \tag{1.1}$$

holds for η . Now given $\eta : F \rightarrow G$ and $\mu : G \rightarrow H$ satisfying (1.1) we expect to define the composite $\mu \circ \eta : F \rightarrow H \in [A, B]$ to have component $(\mu \circ \eta)_\alpha$ as left below

$$\begin{array}{ccc} Fa & \xrightarrow{F\alpha} & Fb \\ \eta_a \downarrow & \searrow \eta_\alpha & \downarrow \eta_b \\ Ga & \xrightarrow{G\alpha} & Gb \\ \mu_a \downarrow & \searrow \mu_\alpha & \downarrow \mu_b \\ Ha & \xrightarrow{H\alpha} & Hb \end{array} \qquad \begin{array}{ccc} Fa & \xrightarrow{F\alpha} & Fb & \xrightarrow{F\beta} & Fc \\ \eta_a \downarrow & \searrow \eta_\alpha & \downarrow \eta_b & \searrow \eta_\beta & \downarrow \eta_c \\ Ga & \xrightarrow{G\alpha} & Gb & \xrightarrow{G\beta} & Gc \\ \mu_a \downarrow & \searrow \mu_\alpha & \downarrow \mu_b & \searrow \mu_\beta & \downarrow \mu_c \\ Ha & \xrightarrow{H\alpha} & Hb & \xrightarrow{H\beta} & Hc \end{array} .$$

Having done so, one asks whether $\mu \circ \eta$ satisfies (1.1) and this amounts to the assertion that the two ways of composing the four 2-cells above right – vertical followed by horizontal and horizontal followed by vertical – coincide. But in a general Gray-category they do not. The conclusion is that we cannot define a category $[A, B]$ of Gray-functors and weak

¹In fact biclosedness forces the objects to be the strict Gray-functors – see Proposition 2.2 and Remark 2.3.

transformations.

The above argument, though convincing, is not quite precise. Our goal here is to describe heavy and undesirable restrictions that any monoidal biclosed structure on Gray-Cat must satisfy. This is the content of our main result, Theorem 4.3. This result immediately rules out the possibility of the sort of tensor product that one initially hopes for: in which $\mathbf{2} \otimes \mathbf{2}$ is the non-commuting square

$$\begin{array}{ccc} (0, 0) & \rightarrow & (1, 0) \\ \downarrow & \swarrow \! \! \! \swarrow & \downarrow \\ (0, 1) & \rightarrow & (1, 1) \end{array}$$

with some kind of equivalence connecting the two paths $(0, 0) \rightrightarrows (1, 1)$. In particular we use Theorem 4.3 to rule out the possibility of a monoidal biclosed structure on Gray-Cat capturing weak transformations or yielding a monoidal model structure.

In establishing these results our line of argument is rather different to that outlined above. In fact our techniques are based upon [10], in which it was shown that Cat admits exactly two monoidal biclosed structures. The approach there was to observe that biclosed structures on an algebraic category amount to “double coalgebras” in the same category, and so to enumerate the former it suffices to calculate the latter, of which there are often but few. On Cat this amounts to the enumeration of certain kinds of *double cocategories* in Cat and we give a careful account of this background material from [10] in Section 2. Section 3 recalls the various known tensor products on 2-Cat. Our main result is Theorem 4.3 of Section 4. Corollary 4.5 applies this result to describe a precise limitation on the kinds of transformations such a biclosed structure can capture, and Corollary 4.7 applies it to rule out the existence of a monoidal model structure. We conclude by discussing a related argument of James Dolan.

The authors would like to thank John Baez, James Dolan, Michael Shulman and Ross Street for useful correspondence concerning a preliminary version of this article.

2. Two monoidal biclosed structures on Cat

It was shown in [10] that there exist precisely two monoidal biclosed structures on Cat and an understanding of this result forms the starting point of our analysis of the Gray-Cat situation. The treatment in [10] leaves certain minor details to the reader. Since these details will be important in Section 4, we devote the present section to giving a full account – but emphasise that nothing here is original.

Cat is cartesian closed and this accounts for one of the monoidal biclosed structures. Given categories A and B the corresponding internal hom $[A, B]$ is the category of functors and natural transformations. This forms a subcategory of $[A, B]_f$, the category of functors and mere transformations: families of arrows of which naturality is not required. $[A, B]_f$ is the internal hom of the so-called funny tensor product \star^2 , which also has unit the

²The terminology “funny tensor product” follows [21].

terminal category $\mathbf{1}$. The funny tensor product $A \star B$ is the pushout

$$\begin{array}{ccc} obA \times obB & \longrightarrow & obA \times B \\ \downarrow & & \downarrow \\ A \times obB & \longrightarrow & A \star B \end{array}$$

where obA and obB are the discrete categories with the same objects as A and B respectively. Using this formula one sees that the funny tensor product is symmetric monoidal and, furthermore, that the induced maps

$$A \star B \rightarrow A \times B$$

from the pushout equip the identity functor $1 : \text{Cat} \rightarrow \text{Cat}$ with the structure of an opmonoidal functor.³

2.1. COCONTINUOUS BIFUNCTORS WITH UNIT. The terminal category $\mathbf{1}$ is the unit for both monoidal biclosed structures. Let us recall why this must be so.

Firstly we call a category \mathcal{C} equipped with a bifunctor $\otimes : \mathcal{C} \times \mathcal{C} \rightarrow \mathcal{C}$, object I and natural isomorphisms $l_A : I \otimes A \rightarrow A$ and $r_A : A \otimes I \rightarrow A$ such that $l_I = r_I : I \otimes I \rightarrow I$ a *bifunctor with unit*. If \mathcal{C} is cocomplete and $\otimes : \mathcal{C} \times \mathcal{C} \rightarrow \mathcal{C}$ cocontinuous in each variable we will often refer to it as a *cocontinuous bifunctor* and, when additionally equipped with a unit in the above sense, as a *cocontinuous bifunctor with unit*.

2.2. PROPOSITION. *Any cocontinuous bifunctor \otimes with unit on Cat has unit the terminal category $\mathbf{1}$.*

PROOF. For a category \mathcal{C} , let $End(1_{\mathcal{C}})$ denote the endomorphism monoid of the identity functor $1_{\mathcal{C}}$. In such a setting the morphism of monoids $End(1_{\mathcal{C}}) \rightarrow End(I)$ given by evaluation at I admits a section. This assigns to $f : I \rightarrow I$ the endomorphism of $1_{\mathcal{C}}$ with component

$$A \xrightarrow{r_A^{-1}} A \otimes I \xrightarrow{A \otimes f} A \otimes I \xrightarrow{r_A} A$$

at A . The identity functor $1 : \text{Cat} \rightarrow \text{Cat}$ has a single endomorphism: for given $\alpha \in End(1_{\text{Cat}})$ naturality at each functor $\mathbf{1} \rightarrow A$ forces α_A to be the identity on objects, whilst naturality at functors $\mathbf{2} \rightarrow A$ forces α_A to be the identity on arrows. All but the initial and terminal categories admit a non-trivial endomorphism – a constant functor – so that the unit I must be either 0 or 1 . Cocontinuity of $A \otimes -$ forces $A \otimes 0 \cong 0$ and so leaves 1 as the only possible unit. ■

³Monoidal categories with unit $\mathbf{1}$ are sometimes called semicartesian. In fact the funny and cartesian tensor products are respectively the initial and terminal semicartesian monoidal structures on Cat .

2.3. **REMARK.** The above argument generalises easily to higher dimensions: in particular, each monoidal biclosed structure on 2-Cat or Gray-Cat must have unit the terminal object. The argument in either case extends the above one, additionally using naturality in maps out of the free living 2-cell/3-cell as appropriate.

This restriction on the unit forces, in each case, the objects of the corresponding internal hom $[A, B]$ to be the strict 2-functors or Gray-functors respectively. In the case of 2-Cat this is illustrated by the natural bijections $2\text{-Cat}(1, [A, B]) \cong 2\text{-Cat}(1 \otimes A, B) \cong 2\text{-Cat}(A, B)$. The Gray-Cat case is identical.

2.4. **DOUBLE COALGEBRAS VERSUS COCONTINUOUS BIFUNCTORS.** Locally finitely presentable categories are those of the form $Mod(T) = Lex(T, Set)$ for T a small category with finite limits. A standard reference is [1]. Examples include Cat, 2-Cat and Gray-Cat. Our interest is in monoidal biclosed structures on such categories. We note that a monoidal structure \otimes on $Mod(T)$ is biclosed just when the tensor product $- \otimes -$ is cocontinuous in each variable: this follows from the well known fact that each cocontinuous functor $Mod(T) \rightarrow \mathcal{C}$ to a cocomplete category \mathcal{C} has a right adjoint. In practice we will use cocontinuity of bifunctors rather than biclosedness.

Going beyond $Mod(T) = Lex(T, Set)$ one can consider the category $Mod(T, \mathcal{C}) = Lex(T, \mathcal{C})$ for any category \mathcal{C} with finite limits, or if \mathcal{C} has finite colimits the category $Comod(T, \mathcal{C}) = Rex(T^{op}, \mathcal{C})$ of T -comodels – if T is the finite limit theory for categories one obtains the categories $Cat(\mathcal{C})$ and $Cocat(\mathcal{C})$ of internal categories and cocategories in this way. The restricted Yoneda embedding $y : T^{op} \rightarrow Mod(T)$ preserves finite colimits and is in fact *the universal T -comodel in a cocomplete category*: for cocomplete \mathcal{C} restriction along y yields an equivalence of categories

$$Ccts(Mod(T), \mathcal{C}) \simeq Comod(T, \mathcal{C})$$

where on the left hand side $Ccts$ denotes the 2-category of cocomplete categories and cocontinuous functors. At a cocomplete trio let $Ccts(\mathcal{A}, \mathcal{B}; \mathcal{C})$ denote the category of bifunctors

$$\mathcal{A}, \mathcal{B} \rightarrow \mathcal{C}$$

cocontinuous in each variable. Evidently we have an isomorphism

$$Ccts(\mathcal{A}, \mathcal{B}; \mathcal{C}) \cong Ccts(\mathcal{A}, Ccts(\mathcal{B}, \mathcal{C}))$$

and applying this together with the above equivalence (twice) gives:

2.5. **PROPOSITION.** *For \mathcal{C} cocomplete the canonical functor*

$$Ccts(Mod(T), Mod(T); \mathcal{C}) \rightarrow Comod(T, Comod(T, \mathcal{C}))$$

is an equivalence of categories.

On the right hand side are T -comodels internal to T -comodels, or *double T -comodels*.

2.6. DOUBLE COCATEGORIES. We are interested in the special case of the above where $Mod(T) \simeq Cat$. Then double T -comodels are double cocategories and in this setting we will give a more detailed account. A cocategory \mathbf{A} in \mathcal{C} is a category internal to \mathcal{C}^{op} . Such consists of a diagram in \mathcal{C} :

$$A_1 \begin{array}{c} \xrightarrow{d} \\ \xleftarrow{i} \\ \xrightarrow{c} \end{array} A_2 \begin{array}{c} \xrightarrow{p} \\ \xleftarrow{m} \\ \xrightarrow{q} \end{array} A_3 \tag{2.1}$$

satisfying, to begin with, the reflexive co-graph identities $id = 1 = ic$. A_3 is the pushout $A_2 +_{A_1} A_2$ with $pc = qd$, and m the composition map: this satisfies $md = pd$ and $mc = qc$. The map m is required to be co-associative, a fact we make no use of, and co-unital: this last fact asserts that $m(i, 1) = 1 = m(1, i)$ where $(i, 1), (1, i) : A_3 \rightrightarrows A_2$ are the induced maps from the pushout characterised by the equations $(i, 1)p = di$, $(i, 1)q = 1$, $(1, i)p = 1$ and $(1, i)q = ci$.

The universal cocategory \mathbf{S} in Cat , corresponding to the restricted Yoneda embedding, is given by:

$$\mathbf{1} \begin{array}{c} \xrightarrow{d} \\ \xleftarrow{i} \\ \xrightarrow{c} \end{array} \mathbf{2} \begin{array}{c} \xrightarrow{p} \\ \xleftarrow{m} \\ \xrightarrow{q} \end{array} \mathbf{3} \tag{2.2}$$

and we sometimes refer to it as the *arrow cocategory*. It is the restriction of the standard cosimplicial object $\Delta \rightarrow Cat$; in particular $\mathbf{2}$ and $\mathbf{3}$ are the free walking arrow and composable pair:

$$\mathbf{2} = (0 \xrightarrow{f} 1) \qquad \mathbf{3} = (0 \xrightarrow{g} 1 \xrightarrow{h} 2) \quad .$$

The various maps involved are order-preserving and characterised by the equations $d < c$ and $p < m < q$ under the pointwise ordering.

A double cocategory is, of course, a cocategory internal to cocategories. Since colimits of cocategories are pointwise, this amounts to a diagram

$$\begin{array}{ccccc}
 & \xrightarrow{d_h^1} & & \xrightarrow{p_h^1} & \\
 A_{1,1} & \xleftarrow{i_h^1} & A_{2,1} & \xleftarrow{m_h^1} & A_{3,1} \\
 \downarrow d_v^1 & \uparrow i_v^1 & \downarrow d_v^2 & \uparrow i_v^2 & \downarrow d_v^3 \\
 \downarrow c_v^1 & \downarrow c_v^2 & \downarrow c_v^3 & & \\
 & \xrightarrow{d_h^2} & & \xrightarrow{p_h^2} & \\
 A_{1,2} & \xleftarrow{i_h^2} & A_{2,2} & \xleftarrow{m_h^2} & A_{3,2} \\
 \downarrow p_v^1 & \uparrow m_v^1 & \downarrow p_v^2 & \uparrow m_v^2 & \downarrow p_v^3 \\
 \downarrow q_v^1 & \downarrow q_v^2 & \downarrow q_v^3 & & \\
 & \xrightarrow{d_h^3} & & \xrightarrow{p_h^3} & \\
 A_{1,3} & \xleftarrow{i_h^3} & A_{2,3} & \xleftarrow{m_h^3} & A_{3,3} \\
 & \xrightarrow{c_h^3} & & \xrightarrow{q_h^3} &
 \end{array} \tag{2.3}$$

in which all rows and columns $A_{-,n}$ and $A_{m,-}$ are cocategories, and each trio of the form f_h^- or f_v^- is a morphism of cocategories. We sometimes refer to the commutativity of the dotted square as the middle four interchange axiom in a double cocategory.

Observe that if \mathbf{A} and \mathbf{B} are cocategories in \mathcal{C} and $\otimes : \mathcal{C} \times \mathcal{C} \rightarrow \mathcal{D}$ is cocontinuous in each variable then the pointwise tensor product of \mathbf{A} and \mathbf{B} yields a double cocategory $\mathbf{A} \otimes \mathbf{B}$. This follows from the fact that each of $A_i \otimes -$ and $- \otimes B_j$ preserves cocategories. In particular given a bifunctor $\otimes : \text{Cat} \times \text{Cat} \rightarrow \mathcal{C}$ cocontinuous in each variable the corresponding double cocategory in \mathcal{C} of Proposition 2.5 is $\mathbf{S} \otimes \mathbf{S}$ as below:

$$\begin{array}{ccccc}
 & \xrightarrow{d \otimes 1} & & \xrightarrow{p \otimes 1} & \\
 1 \otimes 1 & \xleftarrow{i \otimes 1} & 2 \otimes 1 & \xleftarrow{m \otimes 1} & 3 \otimes 1 \\
 \downarrow 1 \otimes d & \downarrow 1 \otimes i & \downarrow 1 \otimes c & \downarrow 2 \otimes d & \downarrow 2 \otimes i & \downarrow 2 \otimes c & \downarrow 3 \otimes d & \downarrow 3 \otimes i & \downarrow 3 \otimes c \\
 & \xrightarrow{c \otimes 1} & & \xrightarrow{q \otimes 1} & \\
 1 \otimes 2 & \xleftarrow{i \otimes 2} & 2 \otimes 2 & \xleftarrow{m \otimes 2} & 3 \otimes 2 \\
 \downarrow 1 \otimes p & \downarrow 1 \otimes m & \downarrow 1 \otimes q & \downarrow 2 \otimes p & \downarrow 2 \otimes m & \downarrow 2 \otimes q & \downarrow 3 \otimes p & \downarrow 3 \otimes m & \downarrow 3 \otimes q \\
 & \xrightarrow{c \otimes 2} & & \xrightarrow{q \otimes 2} & \\
 1 \otimes 3 & \xleftarrow{i \otimes 3} & 2 \otimes 3 & \xleftarrow{m \otimes 3} & 3 \otimes 3 \\
 & \xrightarrow{c \otimes 3} & & \xrightarrow{q \otimes 3} &
 \end{array} \tag{2.4}$$

The cartesian product of categories $\mathbf{2} \times \mathbf{2}$ is of course the free commutative square

$$\begin{array}{ccc}
 (0, 0) \xrightarrow{(f,0)} (1, 0) & & (0, 0) \xrightarrow{(f,0)} (1, 0) \\
 (0, f) \downarrow = \downarrow (1, f) & & (0, f) \downarrow \neq \downarrow (1, f) \\
 (0, 1) \xrightarrow{(f,1)} (1, 1) & & (0, 1) \xrightarrow{(f,1)} (1, 1)
 \end{array}$$

whilst the funny tensor product $\mathbf{2} \star \mathbf{2}$ is the non-commutative square. These are depicted above. The double cocategory structures $\mathbf{S} \times \mathbf{S}$ and $\mathbf{S} \star \mathbf{S}$ are clear in either case.

2.7. ONLY TWO BICLOSED STRUCTURES. In the case of both the funny and cartesian products, the associativity constraint $(A \otimes B) \otimes C \cong A \otimes (B \otimes C)$ is the only possible *natural* isomorphism. (This is clear at the triples $(1, 1, 1)$, $(\mathbf{2}, 1, 1)$, $(1, \mathbf{2}, 1)$ and $(1, 1, \mathbf{2})$, thus at all triples involving only 1's and 2's by naturality, and these force the general case.) Similar remarks apply to the unit isomorphisms. To show that these are the only monoidal biclosed structures, it therefore suffices to prove:

2.8. PROPOSITION. *The funny tensor product and cartesian product are the only two cocontinuous bifunctors with unit on Cat.*

Any such bifunctor has unit 1 by Proposition 2.2. Such bifunctors correspond to double cocategories as in (2.4) in which the top and left cocategories $\mathbf{S} \otimes 1$ and $1 \otimes \mathbf{S}$ are isomorphic to \mathbf{S} . Accordingly, the above result will follow upon proving:

2.9. THEOREM. *Up to isomorphism there exist just two double cocategories in Cat whose top and left cocategories coincide as the arrow cocategory \mathbf{S} in Cat . They are $\mathbf{S} \star \mathbf{S}$ and $\mathbf{S} \times \mathbf{S}$.*

The following result from [17] is a helpful starting point.

2.10. LEMMA. *Each cocategory in Set is a co-equivalence relation and, consequently, the co-kernel pair of its equaliser.*

We sketch the proof. To begin with, given a cocategory \mathbf{A} in Set as in (2.1), one should show that the maps $d, c : A_1 \rightrightarrows A_2$ are jointly epi. The pushout projections $p, q : A_2 \rightrightarrows A_3$ certainly are, so given $x \in A_2$ there exists $y \in A_2$ such that $py = mx$ or $qy = mx$. So either $x = m(i, 1)x = dix$ or $x = m(1, i)x = cix$; therefore d and c are jointly epi and \mathbf{A} a co-preorder. We omit details of the symmetry. Because Set^{op} is Barr-exact, being monadic over Set by [19], each co-equivalence relation in Set is the co-kernel pair of its equaliser.

Let us call \mathbf{O} the cocategory in Set :

$$\begin{array}{ccccc}
 & \xrightarrow{d} & & \xrightarrow{p} & \\
 1 & \xleftarrow{i} & 2 & \xrightarrow{m} & 3 \\
 & \xrightarrow{c} & & \xrightarrow{q} &
 \end{array}$$

which is the co-kernel pair of $\emptyset \rightarrow 1$, so that d and c are the coproduct inclusions. Because colimits of cocategories are pointwise each set X gives rise to a cocategory $X.\mathbf{O}$ by taking componentwise copowers (so $X.\mathbf{O}_2 = X.2$ etc). By exactness a morphism of cocategories $f : \mathbf{A} \rightarrow \mathbf{O}$ corresponds to a function $\text{Eq}(d_A, c_A) \rightarrow \emptyset$ between equalisers, and a unique such exists just when $\text{Eq}(d_A, c_A) = \emptyset$. Since A_1 is the co-kernel pair of its equaliser it follows that $A_2 = A_1.2$ and that $f = !.\mathbf{O}$ for $! : A_1 \rightarrow 1$. Since each cocategory present in a double cocategory comes equipped with a map to either its top or left cocategory it follows that:

2.11. COROLLARY. *There exists only one double cocategory in Set whose left and top cocategories coincide as the cocategory \mathbf{O} ; namely the cartesian product $\mathbf{O} \times \mathbf{O}$.*

PROOF OF THEOREM 2.9. By Proposition 2.5 we are justified in denoting such a double cocategory $\mathbf{S} \otimes \mathbf{S}$ as in (2.4).

- (a) Since the functor $(-)_0 : \text{Cat} \rightarrow \text{Set}$ preserves colimits it preserves (double) cocategories, and takes the arrow cocategory \mathbf{S} to \mathbf{O} . By Corollary 2.11 we have an isomorphism of double cocategories $(\mathbf{S} \otimes \mathbf{S})_0 \cong \mathbf{O} \times \mathbf{O}$ and it is harmless to assume that they are equal. In particular we then have $(\mathbf{2} \otimes \mathbf{2})_0 = 2 \times 2$. Let us abbreviate

$d \otimes \mathbf{2}$ by d_h^2 and so on, as in (2.3). We then have a partial diagram of $\mathbf{2} \otimes \mathbf{2}$:

$$\begin{array}{ccc}
 (0, 0) & \xrightarrow{d_v^2 f} & (1, 0) \\
 d_h^2 f \downarrow & & \downarrow c_h^2 f \\
 (0, 1) & \xrightarrow{c_v^2 f} & (1, 1)
 \end{array} \tag{2.5}$$

which gives a complete picture on objects. There may exist more arrows than depicted, but all morphisms are of the form $(a, b) \rightarrow (c, d)$ where $a \leq c$ and $b \leq d$. If, for instance, there were an arrow $\alpha : d_h^2 1 = (0, 1) \rightarrow (0, 0) = d_h^2 0$ we would obtain $i_h^2 \alpha : 1 \rightarrow 0 \in \mathbf{2}$ but no such arrow exists, and one rules out the other possibilities in a similar fashion.

- (b) The next problem is to show that each of d_h^2, c_h^2, d_v^2 and c_v^2 is *fully faithful*, which amounts to the assertion that there exists a unique arrow on each of the four sides of $\mathbf{2} \otimes \mathbf{2}$ (as in (2.5)) and no non-identity endomorphisms. The four cases are entirely similar and we will consider only d_h^2 . Certainly d_h^2 is faithful. *Suppose that p_h^2 were full when restricted to the full image of d_h^2 .* Then $\alpha : d_h^2 x \rightarrow d_h^2 y$ gives $m_h^2 \alpha : m_h^2 d_h^2 x \rightarrow m_h^2 d_h^2 y$. Since $m_h^2 d_h^2 = p_h^2 d_h^2$ we obtain $\beta : d_h^2 x \rightarrow d_h^2 y$ such that $p_h^2 \beta = m_h^2 \alpha$. But then $\alpha = (i_h^2, 1)m_h^2 \alpha = (i_h^2, 1)p_h^2 \beta = d_h^2 i_h^2 \beta$ so that d_h^2 is full as well as faithful.

So it will suffice to show that p_h^2 is full on the objects $(0, 0)$ and $(0, 1)$ in the image of d_h^2 . This involves computing the pushout $\mathbf{3} \otimes \mathbf{2}$ of categories and we can reduce this to a simpler computation involving graphs. To this end observe that $\mathbf{2} = 1 \otimes \mathbf{2}$ is free on the graph $\mathbf{2}_G = \{0 \rightarrow 1\}$. By adjointness d_h^2 and c_h^2 correspond to maps $d', c' : \mathbf{2}_G \rightrightarrows U(\mathbf{2} \otimes \mathbf{2})$ and we obtain a diagram:

$$\begin{array}{ccccc}
 F(\mathbf{2}_G) & \xrightarrow{Fd'} & FU(\mathbf{2} \otimes \mathbf{2}) & \xrightarrow{Fp'} & F(P) \\
 \downarrow 1 & \xrightarrow{Fc'} & \downarrow \epsilon & \xrightarrow{Fq'} & \downarrow k \\
 1 \otimes \mathbf{2} & \xrightarrow{d_h^2} & \mathbf{2} \otimes \mathbf{2} & \xrightarrow{p_h^2} & \mathbf{3} \otimes \mathbf{2} \\
 & \xrightarrow{c_h^2} & & \xrightarrow{q_h^2} &
 \end{array}$$

where ϵ is an identity on objects and full functor, given by the counit of the adjunction $F \dashv U$. P is the pushout of d' and c' in the category of graphs so that the top row is a pushout of categories. Since bijective-on-objects and full functors form the left class of a factorisation system on Cat they are closed under pushout in Cat^2 ; thus the induced map k between pushouts is bijective-on-objects and full too, and it is harmless to suppose that it is the identity on objects. By a two from three argument it follows that p_h^2 will be full on $\{(0, 0), (0, 1)\}$ so long as Fp' is full on these same objects. In the category of graphs the pushout P of the monos d' and c' is easily calculated, and it is clear that p' is a full embedding of graphs where restricted to $(0, 0)$ and $(0, 1)$. P has the further property that the only morphisms

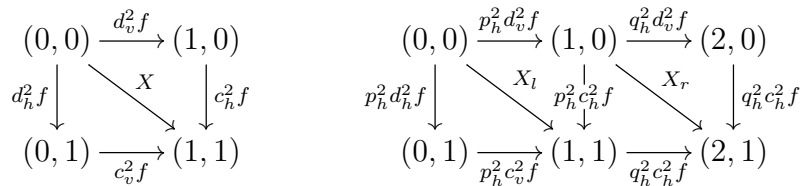
in P having codomain $(0, 0)$ or $(0, 1)$ also have domain amongst these two objects. Using the explicit construction of morphisms in FP as paths in P , these two facts are enough to ensure that Fp' is full where restricted to $(0, 0)$ and $(0, 1)$, as required.

- (c) Because each of d_h^2, c_h^2, d_v^2 and c_v^2 is fully faithful our knowledge of $\mathbf{2} \otimes \mathbf{2}$ is complete with the exception that we have not determined the hom-set $\mathbf{2} \otimes \mathbf{2}((0, 0), (1, 1))$. The two cases $\mathbf{2} \otimes \mathbf{2}((0, 0), (1, 1)) = 1, 2$ correspond to the free commutative square and non-commutative square and these do give double cocategories.

To rule out any other cases suppose that the complement

$$X = \mathbf{2} \otimes \mathbf{2}((0, 0), (1, 1)) \setminus \{c_h^2 f \circ d_v^2 f, c_v^2 f \circ d_h^2 f\}$$

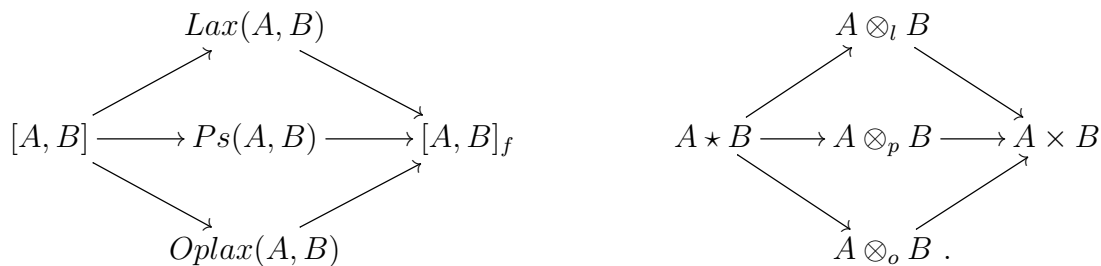
is non-empty. Then the pushout $\mathbf{2} \otimes \mathbf{3}$ is generated by the graph below right



subject to the equations asserting the commutativity of the left and right squares whenever the square does in fact commute in $\mathbf{2} \otimes \mathbf{2}$. We have two copies X_l and X_r of X as depicted. At $\alpha \in X$ we must have $m_h^2 \alpha : (0, 0) \rightarrow (2, 1)$ and also $(i_h^2, 1)m_h^2 \alpha = (1, i_h^2)m_h^2 \alpha = \alpha$. This implies that the path $m_h^2 \alpha$ must involve both a morphism of X_l and a morphism of X_r , but there exists no such path.

3. Monoidal biclosed structures on 2-Cat

There are at least five monoidal biclosed structures on 2-Cat. By Remark 2.3 any monoidal biclosed structure on 2-Cat has unit 1 and, correspondingly, the objects of any possible hom 2-category must be the 2-functors. The 1-cells between these are, in the five cases, 2-natural, lax natural, pseudonatural, oplax natural and not-necessarily-natural transformations; in each case, modifications are the 2-cells.



The five homs are connected by evident inclusions and forgetful functors as in the diagram above left. The arrows therein are the comparison maps of closed functor structures on the identity $1 : 2\text{-Cat} \rightarrow 2\text{-Cat}$. By adjointness (of the $A \otimes - \dashv [A, -]$ variety) there is a

corresponding diagram of functors on the right, each of which is now the component of an opmonoidal structure on $1 : 2\text{-Cat} \rightarrow 2\text{-Cat}$. Reading left to right and top to bottom we have the funny tensor products, lax/ordinary and oplax Gray tensor products [12], and the cartesian product.

The tensor product \otimes_l is monoidal biclosed; indeed

$$2\text{-Cat}(A, Lax(B, C)) \cong 2\text{-Cat}(A \otimes_l B, C) \cong 2\text{-Cat}(B, Oplax(A, C)) .$$

Likewise \otimes_o is biclosed, but neither tensor product is symmetric; rather, they are opposite: $A \otimes_l B \cong B \otimes_o A$. The other cases are symmetric monoidal.

Viewing $\mathbf{2}$ as a 2-category in which each 2-cell is an identity, let us calculate $\mathbf{2} \otimes_l \mathbf{2}$ and $\mathbf{2} \otimes_p \mathbf{2}$. Both have underlying category the non-commuting square $\mathbf{2} \star \mathbf{2}$ and are depicted, in turn, below.

$$\begin{array}{ccc}
 (0, 0) \xrightarrow{(f,0)} (1, 0) & & (0, 0) \xrightarrow{(f,0)} (1, 0) \\
 (0,f) \downarrow \swarrow & & (0,f) \downarrow \cong \downarrow \\
 (0, 1) \xrightarrow{(f,1)} (1, 1) & & (0, 1) \xrightarrow{(f,1)} (1, 1)
 \end{array} \tag{3.1}$$

We do not know whether the above five encompass all monoidal biclosed structures on 2-Cat, but can say that the techniques of Section 2 are insufficient to determine whether this is true. Those techniques worked because each cocontinuous bifunctor with unit on Cat underlies a *unique* monoidal structure, whereas on 2-Cat there exist such bifunctors not underlying any monoidal structure. For an example let $CB_1(2\text{-Cat})$ denote the category of cocontinuous bifunctors on 2-Cat with unit 1. It is easily seen that the forgetful functor $CB_1(2\text{-Cat}) \rightarrow [2\text{-Cat}^2, 2\text{-Cat}]$ creates connected colimits. In particular the co-kernel pair of $\star \rightarrow \otimes_l$ yields an object \otimes_2 of $CB_1(2\text{-Cat})$, with $\mathbf{2} \otimes_2 \mathbf{2}$ given by

$$\begin{array}{ccc}
 (0, 0) \xrightarrow{(f,0)} (1, 0) & & \\
 (0,f) \downarrow \swarrow \searrow & & \downarrow (1,f) \\
 (0, 1) \xrightarrow{(f,1)} (1, 1) & & .
 \end{array}$$

One can show that this tensor product is not associative up to natural isomorphism as follows. Any natural isomorphism would have component at $(\mathbf{2} \otimes_2 \mathbf{2}) \otimes_2 \mathbf{2} \rightarrow \mathbf{2} \otimes_2 \mathbf{2}(\otimes_2 \mathbf{2})$ the associativity isomorphism $(\mathbf{2} \star \mathbf{2}) \star \mathbf{2} \rightarrow \mathbf{2} \star (\mathbf{2} \star \mathbf{2})$ on underlying categories, but direct calculation shows that this last isomorphism cannot be extended to 2-cells.

4. The case of Gray-categories

The inclusion $j : \text{Cat} \rightarrow 2\text{-Cat}$ that views each category as a locally discrete 2-category allows us to view the cocategory \mathbf{S} of (2.2) as a cocategory in 2-Cat, so that we obtain the tensor product double cocategories $\mathbf{S} \otimes_l \mathbf{S}$ and $\mathbf{S} \otimes_p \mathbf{S}$ corresponding to the lax and ordinary

Gray tensor product. The 2-categories $\mathbf{2} \otimes_l \mathbf{2}$ and $\mathbf{2} \otimes_p \mathbf{2}$, depicted in (3.1), each consist of a non-commuting square and 2-cell – invertible in the second case – within. Homming from $\mathbf{S} \otimes_l \mathbf{S}$ into a 2-category \mathcal{C} yields the double category $2\text{-Cat}(S \otimes_l S, \mathcal{C})$ of quintets in \mathcal{C} [9], whose *squares* are lax squares in \mathcal{C} as below left. The fact that the middle four interchange axiom holds in the double cocategory $\mathbf{S} \otimes_l \mathbf{S}$ corresponds, by Yoneda, to the fact that the two ways of composing a diagram of 2-cells as below right

(4.1)

in a 2-category always coincide.

In a Gray-category it is not necessarily the case that the two composite 2-cells coincide and, correspondingly, neither $\mathbf{S} \otimes_l \mathbf{S}$ nor $\mathbf{S} \otimes_p \mathbf{S}$ remains a double cocategory upon taking its image under the inclusion $j : 2\text{-Cat} \rightarrow \text{Gray-Cat}$.⁴ This lack of double cocategories in Gray-Cat ultimately limits the biclosed structures that can exist on Gray-Cat – see Theorem 4.3 below.

4.1. GRAY-CATEGORIES AND SESQUICATEGORIES. Since the above problem concerns the failure of the middle four interchange for 2-cells, it manifests itself at the simpler two-dimensional level of *sesquicategories* [21]. Let us recall Gray-categories, sesquicategories and their inter-relationship.

A *Gray-category* is a category enriched in $(2\text{-Cat}, \otimes_p)$ and we write Gray-Cat for the category of Gray-categories. A *sesquicategory* \mathcal{C} is a category enriched in (Cat, \star) . In elementary terms such a \mathcal{C} consists of a set of objects; for each pair B, C of objects a hom-category $\mathcal{C}(B, C)$ of 1-cells and 2-cells, together with whiskering functors $\mathcal{C}(f, C) : \mathcal{C}(B, C) \rightarrow \mathcal{C}(A, C)$ and $\mathcal{C}(B, g) : \mathcal{C}(B, C) \rightarrow \mathcal{C}(B, D)$ for $f : A \rightarrow B$ and $g : C \rightarrow D$ such that $(g\alpha)f = g(\alpha f)$ where defined. We write Sesquicat for the category of sesquicategories.

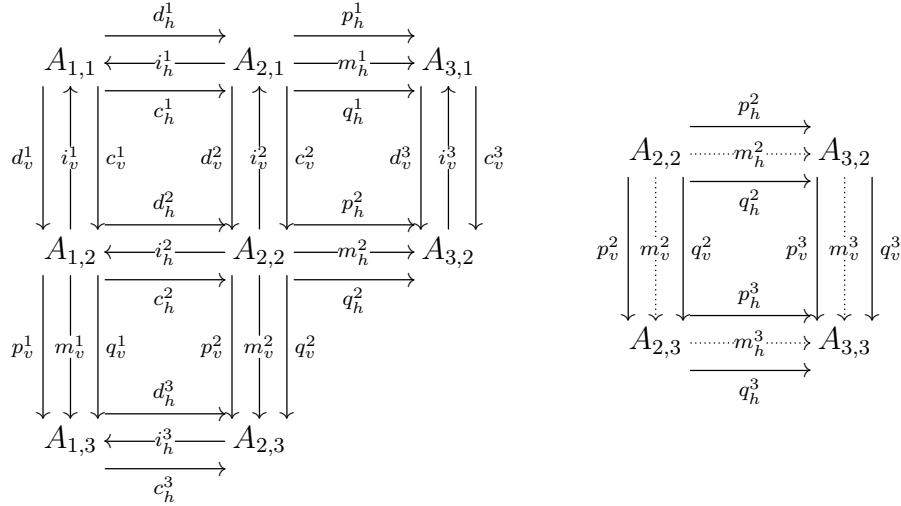
The forgetful functor $(-)_1 : 2\text{-Cat} \rightarrow \text{Cat}$ has both left and right adjoints. Furthermore $(-)_1 : (2\text{-Cat}, \otimes_p) \rightarrow (\text{Cat}, \star)$ is strong monoidal and is consequently the left adjoint of a monoidal adjunction [14]. It follows that the lifted functor $(-)_2 : \text{Gray-Cat} \rightarrow \text{Sesquicat}$, which forgets 3-cells, is itself a left adjoint. This was observed in [16]. In particular $(-)_2$ preserves colimits and so double cocategories. We have a commutative triangle of truncation functors:

$$\begin{array}{ccc}
 \text{Gray-Cat} & \xrightarrow{(-)_2} & \text{Sesquicat} \\
 \swarrow (-)_1 & & \searrow (-)_1 \\
 & \text{Cat} & \\
 \swarrow j & & \searrow j
 \end{array}$$

⁴Specifically, the inclusion fails to preserve the pushouts $\mathbf{3} \otimes_l \mathbf{3}$ and $\mathbf{3} \otimes_p \mathbf{3}$.

in which both functors to Cat have fully faithful left adjoints. Denoted by j in either case, these adjoints view a category as a Gray-category or sesquicategory whose higher dimensional cells are identities.

In what follows the term *pre-double cocategory* will refer to a diagram as below left:



in which all columns $A_{m,-}$ and rows $A_{-,n}$ of length three are cocategories, and each trio of the form f_h^- or f_v^- is a morphism of cocategories.

Being a double cocategory is merely a property of a pre-double cocategory: $A_{3,3}$ is uniquely determined as the pushout $A_{2,3} +_{A_{1,3}} A_{2,3} = A_{3,2} +_{A_{3,1}} A_{3,2}$ and $f_h^3 = f_h^2 +_{f_h^1} f_h^2$ and $f_v^3 = f_v^2 +_{f_v^1} f_v^2$ for $f \in \{p, m, q\}$. In fact, the only distinction is that in a pre-double cocategory the dotted square expressing *middle four interchange* need not commute.

The important example for us, \mathbf{I} , is a pre-double cocategory in Sesquicat . Its image under $(-)_1 : \text{Sesquicat} \rightarrow \text{Cat}$ is $\mathbf{S} \star \mathbf{S}$ whilst each of its component sesquicategories $I_{n,m}$ is locally indiscrete, i.e., there is a unique invertible 2-cell between each parallel pair of 1-cells. This suffices for a full description, but for the reader's convenience we point out that $I_{2,2}$ is the pseudo-commutative square $\mathbf{2} \otimes_p \mathbf{2}$ and indeed that \mathbf{I} is the image of the pre-double cocategory underlying $\mathbf{S} \otimes_p \mathbf{S}$ under the inclusion $2\text{-Cat} \rightarrow \text{Sesquicat}$.

In order to see that \mathbf{I} is not a double cocategory in Sesquicat it suffices, by Yoneda, to exhibit a configuration of shape (4.1) of invertible 2-cells in a sesquicategory for which the two possible composites do not coincide. This is straightforward.

4.2. PROPOSITION. *There exist only two double cocategories in Sesquicat whose top and left cocategories coincide as the arrow cocategory \mathbf{S} . They are the double cocategories $\mathbf{S} \star \mathbf{S}$ and $\mathbf{S} \times \mathbf{S}$ in Cat viewed as double cocategories in Sesquicat .*

PROOF. By Proposition 2.5 each double cocategory in Sesquicat is the tensor double cocategory $\mathbf{S} \otimes \mathbf{S}$ associated to a cocontinuous bifunctor $\otimes : \text{Cat} \times \text{Cat} \rightarrow \text{Sesquicat}$, and accordingly we will use the tensor notation of (2.4).

The forgetful functor $(-)_1 : \text{Sesquicat} \rightarrow \text{Cat}$ is cocontinuous and so preserves double cocategories. It also preserves \mathbf{S} and so, by Theorem 2.9, either $(\mathbf{S} \otimes \mathbf{S})_1 = \mathbf{S} \star \mathbf{S}$ or

$(\mathbf{S} \otimes \mathbf{S})_1 = \mathbf{S} \times \mathbf{S}$. In particular $(\mathbf{2} \otimes \mathbf{2})_1 = \mathbf{2} \star \mathbf{2}$ or $(\mathbf{2} \otimes \mathbf{2})_1 = \mathbf{2} \times \mathbf{2}$. Our main task is to show that all 2-cells in $\mathbf{2} \otimes \mathbf{2}$ are identities and we begin by treating the two cases together.

Let us firstly show that each of d_h^2, c_h^2, d_v^2 and c_v^2 is a full embedding of sesquicategories: thus all 2-cells on the four sides of $\mathbf{2} \otimes \mathbf{2}$ are identities. The argument here is a straightforward adaptation of the second part of the proof of Theorem 2.9 and we only outline it. As there, it suffices to show that d_h^2 is fully faithful (now on 2-cells as well as 1-cells) and for this it is enough to show that p_h^2 is full when restricted to the full image of d_h^2 . In the Cat-case of Theorem 2.9 this amounted to studying a pushout of categories. This was simplified to computing a pushout of graphs by using the adjunction $F \dashv U$ between categories and graphs, that the counit of this adjunction is bijective on objects and full, and that such functors are closed under pushouts in Cat^2 . In the sesquicategory case, we argue in a similar fashion, but replace the category of graphs by the category *Der* of *derivation schemes* [21]: such are simply categories \mathcal{A} equipped with, for each parallel pair $f, g : A \rightarrow B \in \mathcal{A}$, a set $\mathcal{A}(A, B)(f, g)$ of 2-cells. There is an evident forgetful functor $V : \text{Sesquicat} \rightarrow \text{Der}$ which has a left adjoint $G = G_2 G_1$. The first component G_1 adds formally whiskered 2-cells $f\alpha g$ for triples appropriately aligned – as in $f : A \rightarrow B$, $\alpha \in \mathcal{A}(B, C)(h, k)$ and $g : C \rightarrow D$ – whilst G_2 applies the free category construction to each hom graph $G_1 \mathcal{A}(A, B)$. Each component of the counit $GV \rightarrow 1$ is an isomorphism on underlying categories and locally full. Such sesquifunctors form the left class of a factorisation system on *Sesquicat* and are therefore closed under pushout. By employing these facts as in Theorem 2.9 the problem reduces to calculating a simple pushout in *Der*. Now suppose $(\mathbf{2} \otimes \mathbf{2})_1 = \mathbf{2} \star \mathbf{2}$. Consider the pre-double cocategory \mathbf{I} discussed above in which $I_{2,2} = \mathbf{2} \otimes_p \mathbf{2}$ is the free pseudo-commutative square and in which both of $I_{3,2}$ and $I_{2,3}$ are locally indiscrete. Indiscreteness induces a unique morphism $F : \mathbf{S} \otimes \mathbf{S} \rightarrow \mathbf{I}$ of pre-double cocategories whose image under $(-)_1$ is the identity. The fact that F is a morphism of pre-double cocategories implies that of the six faces of the cube:

$$\begin{array}{ccc}
 & \mathbf{2} \otimes \mathbf{3} & \xrightarrow{F_{2,3}} I_{2,3} \\
 \mathbf{2} \otimes \mathbf{2} \xrightarrow{2 \otimes m} & & \searrow m_h^3 \\
 & \mathbf{3} \otimes \mathbf{3} & \xrightarrow{F_{3,3}} I_{3,3} \\
 \mathbf{2} \otimes \mathbf{2} \xrightarrow{m \otimes 2} & & \nearrow m_v^3 \\
 & \mathbf{3} \otimes \mathbf{2} & \xrightarrow{F_{3,2}} I_{3,2}
 \end{array}
 \qquad
 \begin{array}{ccc}
 & \mathbf{2} \otimes \mathbf{3} & \xrightarrow{F_{2,3}} I_{2,3} \\
 \mathbf{2} \otimes \mathbf{2} \xrightarrow{2 \otimes m} & & \searrow m_h^3 \\
 & \mathbf{2} \otimes \mathbf{2} & \xrightarrow{F_{2,2}} I_{2,2} \\
 \mathbf{2} \otimes \mathbf{2} \xrightarrow{m \otimes 2} & & \nearrow m_v^3 \\
 & \mathbf{3} \otimes \mathbf{2} & \xrightarrow{F_{3,2}} I_{3,2}
 \end{array}
 \tag{4.2}$$

the five left-most are commutative. In particular, the outer paths of the right diagram commute as do its two leftmost squares. If in $\mathbf{2} \otimes \mathbf{2}$ there existed a 2-cell as below (or in the opposite direction)

$$\begin{array}{ccc}
 (0, 0) & \xrightarrow{(f,0)} & (1, 0) \\
 (0, f) \downarrow & \not\parallel & \downarrow (1, f) \\
 (0, 1) & \xrightarrow{(f,1)} & (1, 1)
 \end{array}$$

then $F_{2,2} : \mathbf{2} \otimes \mathbf{2} \rightarrow I_{2,2}$ would be epi, and it would follow that the rightmost square of (4.2) commutes. Since \mathbf{I} is not a double cocategory it does not commute and accordingly there exists no such 2-cell.

Consequently there may only exist endo 2-cells of the two paths $(0, 0) \rightrightarrows (1, 1)$ of $\mathbf{2} \otimes \mathbf{2}$. Now at the level of underlying categories the pushout is freely generated by the graph below right

$$\begin{array}{ccc}
 (0, 0) \xrightarrow{(f,0)} (1, 0) & & (0, 0) \xrightarrow{(g,0)} (1, 0) \xrightarrow{(h,0)} (2, 0) \\
 (0,f) \downarrow & & \downarrow (1,f) \quad \downarrow (2,f) \\
 (0, 1) \xrightarrow{(f,1)} (1, 1) & & (0, 1) \xrightarrow{(g,1)} (1, 1) \xrightarrow{(h,1)} (2, 1)
 \end{array}$$

with the maps p_h^2 and q_h^2 including the left and right squares respectively. It follows that the only 2-cells in $\mathbf{3} \otimes \mathbf{2}$ are of the form $(h, 1)(p_h^2\theta)$ and $(q_h^2\phi)(g, 0)$. Suppose that an endo 2-cell θ of $(1, f)(f, 0)$ exists in $\mathbf{2} \otimes \mathbf{2}$. It follows that $m_h^2\theta$ is an endomorphism of $(2, f)(h, 0)(g, 0)$ and so of the form $(q_h^2\phi)(g, 0)$. But then $\theta = (1, i_h^2)m_h^2\theta = (1, i_h^2)(q_h^2\theta) \circ (1, i_h^2)(g, 0)$ which is an identity 2-cell since $(1, i_h^2)q_h^2\theta = c_h^2i_h^2\theta$ is one. Similarly each endomorphism of $(f, 1)(0, f)$ is an identity and we finally conclude that all 2-cells in $\mathbf{2} \otimes \mathbf{2}$ are identities.

Now suppose that $(\mathbf{2} \otimes \mathbf{2})_1 = \mathbf{2} \times \mathbf{2}$. As there exists only a single arrow $(0, 0) \rightarrow (1, 1)$ the hom-category $A = \mathbf{2} \otimes \mathbf{2}((0, 0), (1, 1))$ is a monoid, and we must prove that it is the trivial monoid. By comparing the universal property of the pushout $\mathbf{3} \otimes \mathbf{2}$ with that of the coproduct of monoids, we easily obtain the following complete description of $\mathbf{3} \otimes \mathbf{2}$. It has underlying category the product $\mathbf{3} \times \mathbf{2}$ and the pushout inclusions $p_h^2, q_h^2 : \mathbf{2} \otimes \mathbf{2} \rightrightarrows \mathbf{3} \otimes \mathbf{2}$ are full embeddings; thus $\mathbf{3} \otimes \mathbf{2}((0, 0), (1, 1)) = A = \mathbf{3} \otimes \mathbf{2}((1, 0), (2, 1))$ as depicted left below.

$$\begin{array}{ccc}
 & (0, 0) \xrightarrow{(f,0)} (1, 0) & (0, 0) \xrightarrow{(g,0)} (1, 0) \xrightarrow{(h,0)} (2, 0) \\
 & \downarrow (0,g) \quad A \quad \downarrow (1,g) & \downarrow (0,g) \quad A \quad \downarrow (1,g) \quad A \quad \downarrow (2,g) \\
 (0, 0) \xrightarrow{(g,0)} (1, 0) \xrightarrow{(h,0)} (2, 0) & & \\
 (0,f) \downarrow & & \downarrow (1,f) \quad \downarrow (2,f) \\
 & (0, 1) \xrightarrow{(f,1)} (1, 1) & (0, 1) \xrightarrow{(g,1)} (1, 1) \xrightarrow{(h,1)} (2, 1) \\
 & \downarrow (0,h) \quad A \quad \downarrow (1,h) & \downarrow (0,h) \quad A \quad \downarrow (1,h) \quad A \quad \downarrow (2,h) \\
 (0, 1) \xrightarrow{(g,1)} (1, 1) \xrightarrow{(h,1)} (2, 1) & & \\
 & (0, 2) \xrightarrow{(f,2)} (1, 2) & (0, 2) \xrightarrow{(g,2)} (1, 2) \xrightarrow{(h,2)} (2, 2)
 \end{array}$$

Moreover $\mathbf{3} \otimes \mathbf{2}((0, 0), (2, 1))$ is the coproduct of monoids

$$\mathbf{3} \otimes \mathbf{2}((0, 0), (1, 1)) + \mathbf{3} \otimes \mathbf{2}((1, 0), (2, 1)) = A + A$$

with inclusions given by whiskering. The isomorphic $\mathbf{2} \otimes \mathbf{3}$ is depicted centre above, also with hom monoid $\mathbf{2} \otimes \mathbf{3}((0, 0), (1, 2))$ the coproduct $A + A$. Likewise we calculate that $\mathbf{3} \otimes \mathbf{2}$ and $\mathbf{2} \otimes \mathbf{3}$ embed fully into the pushout $\mathbf{3} \otimes \mathbf{3}$ which is depicted above right, and that the monoid $\mathbf{3} \otimes \mathbf{3}((0, 0), (2, 2))$ is the coproduct $4.A$ with the coproduct inclusions given by

whiskering as before.

As, for instance, discussed in Section 9.6 of [3], elements of a coproduct of monoids $\Sigma_{i \in I} B_i$ admit a *unique normal form*: as words $b_1 \dots b_n$ where each b_i belongs to some $B_j - \{e\}$ and no adjacent pair (b_i, b_{i+1}) belong to the same B_j . In order for this formulation to make sense the monoids B_j must have disjoint underlying sets, or else must be replaced by disjoint isomorphs. In our setting we have natural choices for such isomorphs given by whiskering: for instance, in the case of $\mathbf{3} \otimes \mathbf{2}((0, 0), (2, 1)) = A + A$ these are the sets $\{a(g, 0) : a \in A\}$ and $\{(h, 1)a : a \in A\}$.

We will use uniqueness of normal forms to show that A is the trivial monoid. Let $a \in A$ be a non-trivial element and consider the normal form decomposition $m_h^2 a = b_1 \dots b_n$ which alternates between elements of the sets $(h, 1)\{A\}$ and $\{A\}(g, 0)$. The maps $(i_h^2, 1)$ and $(1, i_h^2)$ evaluate $b_1 \dots b_n$ to the product $\prod_{j=2i}(a_j)$ and $\prod_{j=2i+1}(a_j)$ respectively. (Here a_j is the A -component of b_j , and the empty product is identified with the unit of A .) Since $(i_h^2, 1)m_h^2 = 1 = (1, i_h^2)m_h^2$ it follows that the normal form of $m_h^2 a$ must have length at least 2, as must $m_v^2 a$ by an identical argument.

Consider $m_v^3 m_h^2 a$. Now $m_v^3 = m_v^2 +_{m_v^1} m_v^2$ maps words $(h, 1)a$ and $a(g, 0)$ of length 1 to $(h, 2)(m_v^2 a)$ and $(m_v^2 a)(g, 0)$ respectively, whose normal forms are alternating words in $(h, 2)A(0, g)$ and $(h, h)A$, and in $(2, h)A(g, 0)$ and $A(g, g)$ respectively. In particular each $m_v^3 b_i$ is an alternating word of length ≥ 2 in one pair, and $m_v^3 b_{i+1}$ in the other pair. Therefore the normal form of $m_v^3 m_h^2 a$ is simply obtained by juxtaposing the normal forms of the components $(m_v^3 b_1, \dots, m_v^3 b_n)$. In particular the first two elements of this normal form must be either an alternating word in $(h, 2)A(0, g)$ and $(h, h)A$, or in $(2, h)A(g, 0)$ and $A(g, g)$: a *vertically alternating* word. By contrast, the first two elements of the normal form of $m_h^3 m_v^2 a$ alternate horizontally. By uniqueness of normal forms we conclude that A must be the trivial monoid.

Having shown that $\mathbf{2} \otimes \mathbf{2}$ is merely a category in the two possible cases, we observe that since the full inclusion $j : \text{Cat} \rightarrow \text{Sesquicat}$ is closed under colimits and \otimes cocontinuous in each variable, it follows that the pushouts $\mathbf{3} \otimes \mathbf{2}$, $\mathbf{2} \otimes \mathbf{3}$ and $\mathbf{3} \otimes \mathbf{3}$ must be categories too. ■

4.3. THEOREM. *Let $\otimes : \text{Gray-Cat}^2 \rightarrow \text{Gray-Cat}$ be a cocontinuous bifunctor with unit. Then the underlying bifunctor*

$$\text{Cat}^2 \xrightarrow{j^2} \text{Gray-Cat}^2 \xrightarrow{\otimes} \text{Gray-Cat} \xrightarrow{(-)_1} \text{Cat}$$

coincides with either the cartesian or funny tensor product. Moreover, at categories A and B , the tensor product $A \otimes B$ has only identity 2-cells.

PROOF. Since the forgetful functor $(-)_2 : \text{Gray-Cat} \rightarrow \text{Sesquicat}$ is cocontinuous the composite bifunctor \otimes' :

$$\text{Cat}^2 \xrightarrow{j^2} \text{Gray-Cat}^2 \xrightarrow{\otimes} \text{Gray-Cat} \xrightarrow{(-)_2} \text{Sesquicat}$$

is a cocontinuous bifunctor. The full theorem amounts to the assertion that \otimes' is isomorphic to one of $j \circ \times, j \circ \star : \text{Cat}^2 \rightrightarrows \text{Cat} \rightarrow \text{Sesquicat}$ which, by Proposition 2.5, is equally

to show that the double cocategory $\mathbf{S} \otimes' \mathbf{S}$ is isomorphic to $\mathbf{S} \times \mathbf{S}$ or $\mathbf{S} \star \mathbf{S}$. By Remark 2.3 the unit for \otimes is 1 and it follows that $\mathbf{S} \otimes' \mathbf{S}$ has left and top cocategories $\mathbf{S} \otimes 1$ and $1 \otimes \mathbf{S}$ isomorphic to \mathbf{S} . By Proposition 4.2 $\mathbf{S} \otimes' \mathbf{S}$ must be isomorphic to one of $\mathbf{S} \star \mathbf{S}$ and $\mathbf{S} \times \mathbf{S}$. ■

4.4. NO WEAK TRANSFORMATIONS. The informal argument of the introduction was against the existence of a monoidal biclosed structure on Gray-Cat capturing weak transformations. Here we make a precise statement. In Remark 2.3 we observed that any monoidal biclosed structure on Gray-Cat has unit 1. Accordingly the (left or right) internal hom $[A, B]$ must have Gray-functors as objects. We take it as given that a weak transformation $\eta : F \rightarrow G$ of Gray-functors ought to involve components $\eta_a : Fa \rightarrow Ga$ and 2-cells

$$\begin{array}{ccc} Fa & \xrightarrow{F\alpha} & Fb \\ \eta_a \downarrow & \swarrow \eta_\alpha & \downarrow \eta_b \\ Ga & \xrightarrow{G\alpha} & Gb \end{array}$$

(or in the opposite direction) to begin with. Even if we restrict our attention to the simple case that A is merely a category and B a 2-category one expects that there should exist transformations whose components η_α are not identities. This is, at least, the case for the pseudonatural transformations that arise in 2-category theory. The following result shows that this is not possible.

4.5. COROLLARY. *Let \otimes be a biclosed bifunctor with unit on Gray-Cat, and let $[A, B]$ denote either internal hom. Suppose that A is a category and B a 2-category. Then the underlying category of $[A, B]$ is isomorphic to the category $[A, B_1]_f$ of functors and unnatural transformations, or to the category of functors and natural transformations $[A, B_1]$.*

PROOF. To begin, we observe that although the inclusion $j : 2\text{-Cat} \rightarrow \text{Gray-Cat}$ does not have a right adjoint it does have a left adjoint Π_2 . This sends a Gray-category A to the 2-category $\Pi_2(A)$ with the same underlying category as A and whose 2-cells are equivalence classes of those in A : here, a parallel pair of 2-cells are identified if connected by a zig-zag of 3-cells. We will use the evident fact that if all 2-cells in A are identities then $\Pi_2(A)$ is isomorphic to the underlying category A_1 of A . We will also use the series of adjunctions

$$\text{Gray-Cat} \begin{array}{c} \xrightarrow{\Pi_2} \\ \xleftarrow{j} \end{array} 2\text{-Cat} \begin{array}{c} \xrightarrow{(-)_1} \\ \xleftarrow{j} \end{array} \text{Cat}$$

in which the left adjoints point rightwards, and in which the composite left adjoint is $(-)_1 : \text{Gray-Cat} \rightarrow \text{Cat}$.

Now let A be a category and B a 2-category and $[A, B]$ the hom Gray-category characterised by the adjunction $- \otimes A \dashv [A, -]$. We have isomorphisms:

$$\begin{aligned} \text{Cat}(C, ([A, B])_1) &\cong \text{Gray-Cat}(C, [A, B]) \cong \text{Gray-Cat}(C \otimes A, B) \cong \\ &2\text{-Cat}(\Pi_2(C \otimes A), B) \cong 2\text{-Cat}((C \otimes A)_1, B) \end{aligned}$$

in which the action of the inclusions j are omitted. The first three isomorphisms use the aforementioned adjunctions. By Theorem 4.3 all 2-cells in $C \otimes A$ are identities and this gives the fourth isomorphism. Furthermore Theorem 4.3 tells us that $(C \otimes A)_1$ is isomorphic to the funny tensor product of categories $C \star A$ or to the cartesian product $C \times A$. In the first case we obtain further isomorphisms

$$2\text{-Cat}((C \otimes A)_1, B) \cong 2\text{-Cat}(C \star A, B) \cong \text{Cat}(C \star A, B_1) \cong \text{Cat}(C, [A, B_1]_f) \quad .$$

Applying the Yoneda lemma to the composite isomorphism

$$\text{Cat}(C, ([A, B])_1) \cong \text{Cat}(C, [A, B_1]_f)$$

we obtain $([A, B])_1 \cong [A, B_1]_f$ or, in the second case, an isomorphism $[A, B]_1 \cong [A, B_1]$. Finally, we note that an essentially identical argument works in the case that $[A, B]$ is the Gray-category corresponding to the adjunction $A \otimes - \dashv [A, -]$. ■

4.6. NO MONOIDAL MODEL STRUCTURE. The cartesian product of categories and Gray tensor product of 2-categories are generally considered to be *homotopically well behaved* tensor products. In the former case we have that the cartesian product of equivalences of categories is again an equivalence; in the latter we have the analogous fact [15] but also further evidence, such as the fact that every tricategory is equivalent to a Gray-category [11]. Still further evidence comes from the theory of Quillen model categories [18]: both tensor products form part of *monoidal model structures* [13]. Recall that a monoidal model category consists of a category \mathcal{C} equipped with both the structure of a symmetric monoidal closed category and a model category; furthermore, these two structures are required to interact appropriately. There is a unit condition and a condition called the pushout product axiom, a special case of which asserts that for each cofibrant object A the adjunction

$$A \otimes - \dashv [A, -]$$

is a Quillen adjunction. When the unit is cofibrant, as it often is, this special case of the pushout product axiom already implies that the homotopy category $ho(\mathcal{C})$ is itself symmetric monoidal closed, and that the projection $\mathcal{C} \rightarrow ho(\mathcal{C})$ is strong monoidal.

In the case of Cat the model structure in question has weak equivalences the equivalences of categories, whilst the fibrations and trivial fibrations are the isofibrations and surjective equivalences respectively. In the case of 2-Cat the weak equivalences are the biequivalences, whilst the fibrations are slightly more complicated to describe – see [15]. However each object is fibrant, and the trivial fibrations are those 2-functors which are both surjective on objects and locally trivial fibrations in Cat .

The model structure on 2-Cat is determined by that on Cat in the following way. Given

a monoidal model category \mathcal{V} one can define a \mathcal{V} -category A to be *fibrant* if each $A(a, b)$ is fibrant in \mathcal{V} , and a \mathcal{V} -functor $F : A \rightarrow B$ to be a *trivial fibration* if it is surjective on objects and locally a trivial fibration in \mathcal{V} . Now a model structure is determined by its trivial fibrations and fibrant objects. Consequently, when the above two classes do in fact determine a model structure on $\mathcal{V}\text{-Cat}$, the authors of [2] referred to it as the *canonical model structure* and described conditions under which it exists. In particular the model structure on 2-Cat is canonical.

Furthermore it was shown in [16] that Gray-Cat admits the canonical model structure, as lifted from 2-Cat , and a natural question to ask is whether this forms part of a monoidal model structure. In 1.8(v) of [2] the authors indicated that it was unknown whether such a tensor product exists. The following result shows that this is too much to ask.

4.7. COROLLARY. *There exists no cocontinuous bifunctor $\otimes : \text{Gray-Cat}^2 \rightarrow \text{Gray-Cat}$ with unit such that for each cofibrant A either of the functors $A \otimes -$ or $- \otimes A$ is left Quillen. In particular there exists no monoidal model structure on Gray-Cat .*

PROOF. By Corollary 9.4 of [16] a Gray-category is cofibrant just when its underlying sesquicategory is *free on a computad*. All we need are two immediate consequences of this: namely, that $\mathbf{2}$ is cofibrant and that each cofibrant Gray-category has *underlying category free on a graph*.

Now suppose such a bifunctor \otimes does exist. Since $\mathbf{2}$ is cofibrant one of $\mathbf{2} \otimes -$ and $- \otimes \mathbf{2}$ must be left Quillen. Therefore $\mathbf{2} \otimes \mathbf{2}$ is cofibrant. In particular the underlying category of $\mathbf{2} \otimes \mathbf{2}$ must be free on a graph. Now $(\mathbf{2} \otimes \mathbf{2})_1 = \mathbf{2} \star \mathbf{2}$ or $\mathbf{2} \times \mathbf{2}$ by Theorem 4.3 and only the first of these is free on a graph. Consequently $(\mathbf{2} \otimes \mathbf{2})_1 = \mathbf{2} \star \mathbf{2}$.

Let I denote the free isomorphism $0 \cong 1$ and consider the map $j : \mathbf{2} \rightarrow I$ sending $0 \rightarrow 1$ to $0 \cong 1$. By Theorem 4.3 $j \otimes j : \mathbf{2} \otimes \mathbf{2} \rightarrow I \otimes I$ coincides with the funny tensor product $j \star j : \mathbf{2} \star \mathbf{2} \rightarrow I \star I$ on underlying categories, and both 2-categories have only identity 2-cells. In particular $j \otimes j$ sends the non-commuting square

$$\begin{array}{ccc} (0, 0) & \xrightarrow{(f, 0)} & (1, 0) \\ (0, f) \downarrow & & \downarrow (1, f) \\ (0, 1) & \xrightarrow{(0, f)} & (1, 1) \end{array}$$

to a *still non-commuting* square of isomorphisms.

As described in Section 3 of [16] there is a *universal adjoint biequivalence* E in Gray-Cat . It is a cofibrant Gray-category with two objects and both maps $1 \rightrightarrows E$ are trivial cofibrations. In particular E has underlying category free on the graph $(f : 0 \rightleftharpoons 1 : u)$ so that we obtain a factorisation of j :

$$\mathbf{2} \xrightarrow{j_1} E \xrightarrow{j_2} I ,$$

and hence of $j \otimes j$:

$$\mathbf{2} \otimes \mathbf{2} \xrightarrow{l} E \otimes E \xrightarrow{k} I \otimes I ,$$

where we have written $j_1 \otimes j_1 = l, j_2 \otimes j_2 = k$. The two distinct paths $r, s : (0, 0) \rightrightarrows (1, 1)$ of $\mathbf{2} \otimes \mathbf{2}$ give rise to parallel 1-cells $l(r), l(s) : l(0, 0) \rightrightarrows l(1, 1)$. A 2-cell $\alpha : l(r) \rightrightarrows l(s)$ would yield a 2-cell $k(\alpha) : j \otimes j(r) \rightrightarrows j \otimes j(s)$ but no such 2-cell can exist by the above. In particular there exists no 2-cell $l(r) \rightrightarrows l(s)$ in E .

However since $1 \rightarrow E$ is a trivial cofibration in Gray-Cat we must have that $1 \cong 1 \otimes 1 \rightarrow 1 \otimes E \rightarrow E \otimes E$ is a trivial cofibration. By 2 from 3 the map $E \otimes E \rightarrow 1$ must be a weak equivalence and indeed, since all Gray-categories are fibrant, a trivial fibration. But this implies that there exists a 2-cell between any parallel pair of 1-cells in $E \otimes E$ and we have just shown that this is not the case. ■

4.8. DOLAN’S OBJECTION TO STREET’S FILES. In a 1996 email [8] to Ross Street, James Dolan described an objection to Street’s then conjectural notion of semistrict n -category – called an n -file [20]. Dolan’s objection, brought to our attention during the editorial process, is closely related to the arguments of the present paper and for that reason we discuss it here.

The category n -Cat of strict n -categories is cartesian closed. Taking the union of the sequence $(n+1)$ -Cat = $(n$ -Cat, \times)-Cat gives the cartesian closed category $\mathcal{V}_1 = (\omega$ -Cat, \times).⁵ ω -Cat supports several other monoidal biclosed structures, including a higher dimensional version of the (lax) Gray tensor product. The following construction of this tensor product follows [22] and we refer to that paper for further details and references. The free ω -categories $\{O(I^n) : n \in \mathbf{N}\}$ on the *parity n -cubes* I^n form a dense full subcategory Q of ω -Cat. The subcategory is monoidal, with tensor product $O(I^n) \otimes O(I^m) = O(I^{n+m})$ induced from the tensor product of cubes. Day’s technique [5, 6] for extending monoidal structures along a dense functor can, with work, be employed to establish the monoidal biclosed structure $\mathcal{V}_2 = (\omega$ -Cat, \otimes): here called the Gray-tensor product of ω -categories. Gray-categories, identifiable as 3-dimensional \mathcal{V}_2 -categories with invertible coherence constraints, were called *3-files* in [20].

Corresponding to the fact that the cartesian product is the terminal semicartesian tensor product, so \mathcal{V}_1 -categories, just ω -categories, can naturally be viewed as \mathcal{V}_2 -categories. Accordingly we have a composite functor

$$Q \longrightarrow \omega\text{-Cat} \simeq \mathcal{V}_1\text{-Cat} \longrightarrow \mathcal{V}_2\text{-Cat}$$

and the composite is fully faithful. It was conjectured in [20] that this functor satisfied Day’s conditions whereby the monoidal structure on Q could be extended to a biclosed one \otimes_2 on \mathcal{V}_2 -Cat; then one would take $\mathcal{V}_3 = (\mathcal{V}_2\text{-Cat}, \otimes_2)$, define 4-files as certain 4-dimensional categories enriched in \mathcal{V}_3 , and iterate to higher dimensions.

Dolan’s objection⁶, expressed in the terms of the present paper, was as follows. The co-graph $O(I^0) \rightrightarrows O(I^1) = d, c : 1 \rightrightarrows \mathbf{2}$ underlies the standard cocategory \mathbf{S} in Cat, equally

⁵As in [20, 22] an object of ω -Cat is an n -category for some n . We note that ω -Cat is often used to refer to ω -categories with non-trivial cells in each finite dimension.

⁶In [8] Dolan writes “The category Q of Gray tensor powers of the free strict infinity category I on one 1-arrow is a full subcategory of V_2 , and also of V_3 . It’s also a monoidal subcategory of V_2 , and you want it to be isomorphically a monoidal subcategory of V_3 as well. But then since I is a co-category object in

a cocategory in ω -Cat or in \mathcal{V}_2 -Cat. Accordingly a biclosed tensor product \otimes_2 would give a double cocategory $\mathbf{S} \otimes_2 \mathbf{S}$ with left and top cocategories $\mathbf{S} \otimes_2 1$ and $1 \otimes_2 \mathbf{S}$ isomorphic to \mathbf{S} . If \otimes_2 were obtained by Day’s technique of extension then the composite inclusion $Q \rightarrow \mathcal{V}_2$ -Cat would be strong monoidal; hence $(\mathbf{S} \otimes_2 \mathbf{S})_{1,1} = O(I^1) \otimes_2 O(I^1) \cong O(I^2)$. But $O(I^2)$ is just

$$\begin{array}{ccc} (0, 0) & \rightarrow & (1, 0) \\ \downarrow & \not\parallel & \downarrow \\ (0, 1) & \rightarrow & (1, 1) \end{array} .$$

Dolan observed that there is only one possible double cocategory structure on $O(I^2)$ (with \mathbf{S} as its left and top cocategories) and that this does not form a double cocategory: as in the Gray-Cat setting of Section 4, the middle four interchange axiom fails to hold. Consequently there cannot exist a biclosed tensor product \otimes_2 obtained by extension along $Q \rightarrow \mathcal{V}_2$ -Cat.

The key observation above is that the lax square double cocategory in 2-Cat (or ω -Cat) does not remain one on passing to a world like Gray-Cat (or \mathcal{V}_2 -Cat) in which the middle 4-interchange doesn’t hold. This is the same observation at the heart of our key result Proposition 4.2 – whose additional value is that it examines not just the lax square but all possible double cocategories.

References

- [1] ADÁMEK, J., AND ROSICKÝ, J. Locally presentable and accessible categories. *London Math. Soc. Lecture Notes 189* xiv+316 pp., Cambridge University Press (1994)
- [2] BERGER, C., AND MOERDIJK, I. On the homotopy theory of enriched categories. *Quarterly Journal of Mathematics* 64, 3 (2013), 805–846.
- [3] BERGMAN, G. *An invitation to general algebra and universal constructions*. Henry Helson, Berkeley, CA, 1998.
- [4] CRANS, S. A tensor product for Gray-categories. *Theory and Applications of Categories* 5, 2 (1999), 12–69.
- [5] DAY, B. On closed categories of functors. In *Midwest Category Seminar Reports IV*, vol. 137 of *Lecture Notes in Mathematics*. (Springer-Verlag, Berlin 1970) pp. 1-38.

V_3 (just as it is in V_2), $I * I$ would have to be a double co-category object in V_3 , with moreover several (4, at least) co-category homomorphisms from I . Exhaustive analysis of $I * I$ shows that there is only one plausible candidate for the horizontal co-category structure on it, and only one plausible candidate for the vertical co-category structure on it. But these two co-category structures do not strictly commute; there is the contradiction.”

- [6] DAY, B. A reflection theorem for closed categories. *Journal of Pure and Applied Algebra* 2, 1 (1972), 1-11.
- [7] DAY, B., AND STREET, R. Monoidal bicategories and Hopf algebroids. *Advances in Mathematics* 129, 1 (1997), 99–157.
- [8] DOLAN, JAMES. n-files. *Email to Ross Street* (March 1996).
- [9] EHRESMANN, C. Catégories structurées. III. Quintettes et applications covariantes. In *Topol. et. Géom. Diff. (Sém. C. Ehresmann)*, Vol. 5, page 21. Institut H. Poincaré Paris, 1963.
- [10] FOLTZ, F., LAIR, C., AND KELLY, G. M. Algebraic categories with few monoidal biclosed structures or none. *Journal of Pure and Applied Algebra* 17, 2 (1980), 171–177.
- [11] GORDON, R., POWER, J., AND STREET, R. Coherence for tricategories. *Memoirs of the American Mathematical Society* 117 (1995).
- [12] GRAY, J. Formal category theory: adjointness for 2-categories. vol. 391 of *Lecture Notes in Mathematics* Springer, 1974.
- [13] HOVEY, M. *Model categories*, vol. 63 of *Mathematical Surveys and Monographs*. American Mathematical Society, 1999.
- [14] KELLY, G. M. Doctrinal adjunction. In *Category Seminar (Sydney, 1972/1973)*, vol. 420 of *Lecture Notes in Mathematics*. Springer, 1974, pp. 257–280.
- [15] LACK, S. A Quillen model structure for 2-categories. *K-Theory* 26, 2 (2002), 171–205.
- [16] LACK, S. A Quillen model structure for Gray-categories. *Journal of K-Theory* 8, 2 (2011), 183–221.
- [17] LUMSDAINE, P. L. A small observation on co-categories. *Theory and Applications of Categories* 25, 9 (2011), 247–250.
- [18] QUILLEN, D. G. *Homotopical algebra*, vol. 43 of *Lecture Notes in Mathematics*. Springer, 1967.
- [19] PARE, R. Colimits in Topoi. *Bull. Amer. Math. Soc.* 80, (1974), 556–561.
- [20] STREET, ROSS. Descent theory. Notes from Oberwolfach lectures of 17-23 December 1995. Available at <http://maths.mq.edu.au/street/Publications.htm>.
- [21] STREET, ROSS. *Categorical Structures, Handbook of algebra* Vol. 1. North-Holland, 1996, pp. 529–277.

- [22] STREET, ROSS. Categorical and combinatorial aspects of descent theory, *Appl. Categ. Structures* 12, (2004), 5-6, 537-576.
- [23] <http://ncatlab.org/nlab/revision/generalized+Gray+tensor+product/1>
(2009).

*Department of Mathematics and Statistics, Masaryk University
Kotlářská 2, Brno 60000, Czech Republic*

*School of Mathematics and Statistics, University of Sheffield
Sheffield, United Kingdom*

Email: bourkej@math.muni.cz
nick.gurski@sheffield.ac.uk

This article may be accessed at <http://www.tac.mta.ca/tac/>

THEORY AND APPLICATIONS OF CATEGORIES (ISSN 1201-561X) will disseminate articles that significantly advance the study of categorical algebra or methods, or that make significant new contributions to mathematical science using categorical methods. The scope of the journal includes: all areas of pure category theory, including higher dimensional categories; applications of category theory to algebra, geometry and topology and other areas of mathematics; applications of category theory to computer science, physics and other mathematical sciences; contributions to scientific knowledge that make use of categorical methods.

Articles appearing in the journal have been carefully and critically refereed under the responsibility of members of the Editorial Board. Only papers judged to be both significant and excellent are accepted for publication.

Full text of the journal is freely available in .dvi, Postscript and PDF from the journal's server at <http://www.tac.mta.ca/tac/> and by ftp. It is archived electronically and in printed paper format.

SUBSCRIPTION INFORMATION Individual subscribers receive abstracts of articles by e-mail as they are published. To subscribe, send e-mail to tac@mta.ca including a full name and postal address. For institutional subscription, send enquiries to the Managing Editor, Robert Rosebrugh, rrosebrugh@mta.ca.

INFORMATION FOR AUTHORS The typesetting language of the journal is $\text{T}_{\text{E}}\text{X}$, and $\text{L}^{\text{A}}\text{T}_{\text{E}}\text{X}2\text{e}$ is strongly encouraged. Articles should be submitted by e-mail directly to a Transmitting Editor. Please obtain detailed information on submission format and style files at <http://www.tac.mta.ca/tac/>.

MANAGING EDITOR. Robert Rosebrugh, Mount Allison University: rrosebrugh@mta.ca

$\text{T}_{\text{E}}\text{X}$ NICAL EDITOR. Michael Barr, McGill University: barr@math.mcgill.ca

ASSISTANT $\text{T}_{\text{E}}\text{X}$ EDITOR. Gavin Seal, Ecole Polytechnique Fédérale de Lausanne: gavin_seal@fastmail.fm

TRANSMITTING EDITORS.

Clemens Berger, Université de Nice-Sophia Antipolis: cberger@math.unice.fr

Richard Blute, Université d' Ottawa: rblute@uottawa.ca

Lawrence Breen, Université de Paris 13: breen@math.univ-paris13.fr

Ronald Brown, University of North Wales: [ronnie.profbrown\(at\)btinternet.com](mailto:ronnie.profbrown(at)btinternet.com)

Valeria de Paiva: valeria.depaiva@gmail.com

Ezra Getzler, Northwestern University: [getzler\(at\)northwestern\(dot\)edu](mailto:getzler(at)northwestern(dot)edu)

Kathryn Hess, Ecole Polytechnique Fédérale de Lausanne: kathryn.hess@epfl.ch

Martin Hyland, University of Cambridge: M.Hyland@dpmms.cam.ac.uk

Anders Kock, University of Aarhus: kock@imf.au.dk

Stephen Lack, Macquarie University: steve.lack@mq.edu.au

F. William Lawvere, State University of New York at Buffalo: wlawvere@buffalo.edu

Tom Leinster, University of Edinburgh: Tom.Leinster@ed.ac.uk

Ieke Moerdijk, Radboud University Nijmegen: i.moerdijk@math.ru.nl

Susan Niefield, Union College: niefiels@union.edu

Robert Paré, Dalhousie University: pare@mathstat.dal.ca

Jiri Rosicky, Masaryk University: rosicky@math.muni.cz

Giuseppe Rosolini, Università di Genova: rosolini@disi.unige.it

Alex Simpson, University of Edinburgh: Alex.Simpson@ed.ac.uk

James Stasheff, University of North Carolina: jds@math.upenn.edu

Ross Street, Macquarie University: street@math.mq.edu.au

Walter Tholen, York University: tholen@mathstat.yorku.ca

Myles Tierney, Rutgers University: tierney@math.rutgers.edu

R. J. Wood, Dalhousie University: rjwood@mathstat.dal.ca